

# OELD

Bluetooth-enabled local display for Searchline Excel and Searchpoint Optima Plus



## OELD SPECIFICATION

<b>MATERIAL</b>	Marine-grade aluminium alloy or 316 stainless steel with 5-coat painted finish
<b>WEIGHT</b>	Aluminium version 2.3 kg (5 lb), stainless steel version 5.0 kg (11 lb)
<b>DIMENSIONS</b>	159 x 197 x 114 mm (6 1/4 x 7 3/4 x 4 1/2 inch)
<b>CABLE ENTRIES</b>	5 x M25 (ATEX/IECEx version) or 5 x 3/4" NPT (cULus version). One reserved for sensor connection. 3 blanking plugs supplied for unused entries.
<b>TERMINATION</b>	2 x pluggable rising-clamp type for connection to gas detector and field wiring. Accepts cable sizes of 0.5 to 2.5mm <sup>2</sup> , 12 to 28 AWG
<b>STORAGE TEMPERATURE</b>	-40 to +65 °C (-40 to 149 °F)
<b>OPERATIONAL TEMPERATURE</b>	-40 to +65 °C (-40 to 149 °F) -60 to +65 °C (-76 to 149 °F) (CU TR-EX version only)
<b>HUMIDITY</b>	0 to 99% RH (non-condensing)
<b>DISPLAY</b>	LCD module showing digital readout of sensor output, bar chart representation, units of measurement, status icons for alarm, maintenance and active Bluetooth connection.
<b>CONFIGURABLE DISPLAYED INFORMATION</b>	Displayed information fully user-configurable using the OELD mobile app. Units of measurement selectable from: <ul style="list-style-type: none"> <li>• %LEL, %VOL, ppm, kppm, mg/m<sup>3</sup>, g/m<sup>3</sup> (point detectors)</li> <li>• LEL.m, ppm.m (open path detectors)</li> <li>• mA, A, dB, DBA (other)</li> </ul> Gas name (up to 4 alpha-numeric characters) Measurement range
<b>VISUAL INDICATION</b>	Green/yellow/red/blue multi-colour backlit display for indication of detector and OELD status. Green (normal) indication can be disabled via app.
<b>POWER SUPPLY</b>	18 to 32 Vdc (24 Vdc nominal), <2 W
<b>INTERFACES</b>	Bluetooth® (BLE) non-intrusive connection to suitable mobile device running the OELD mobile app. Range up to 10 m (30 feet) (mobile device dependant) Internal RS-485 connection to Searchpoint Optima Plus or Searchline Excel via SHC-1 through the SHC Protection Device
<b>COMPATIBLE GAS DETECTORS</b>	Searchpoint Optima Plus, Searchline Excel, Searchline Excel Cross-Duct, generic 4 to 20 mA devices
<b>ENVIRONMENTAL PROTECTION</b>	IP66 / Type 4X (in accordance with NEMA 250)
<b>CORE APPROVALS</b>	EN 50270: 2015 (EMC) IEC/EN/UL/CSA 61010 (Electrical Safety)

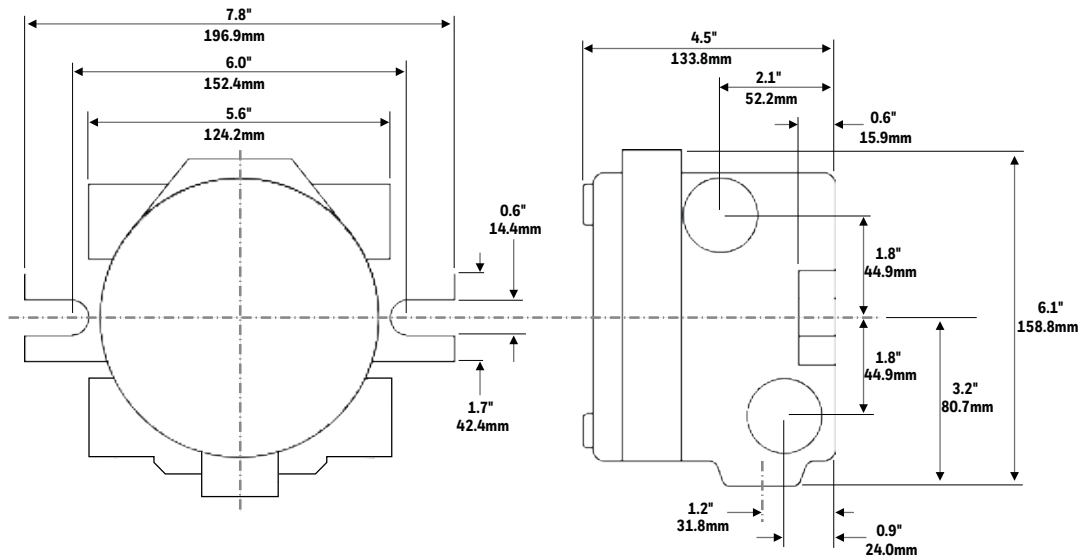
# OELD Specifications

## OELD SPECIFICATION

	<p>ATEX/IECEX          DEMKO 16 ATEX 1693X          IECEX [UL 16.0066X]          Ⓢ II 2 GD          Ex db IIC T6          Ex tb IIIC T85 °C          Tamb -40 to +65 °C          EN 60079-29-1 Approved Accessory</p>	<p><b>DASTEC S.R.L.</b>  <b>Distribuidores Autorizados</b>          Buenos Aires, Argentina          Tel.: (54-11) 5352-2500          E-mail: <a href="mailto:info@dastecsrl.com.ar">info@dastecsrl.com.ar</a>          Web: <a href="http://www.dastecsrl.com.ar">www.dastecsrl.com.ar</a></p>
<b>SAFETY APPROVALS</b>	<p>cULus          Class I, Div 1, A, B, C &amp; D          Class II, Div 1 F &amp; G, Class III, Div 1          Tamb -55 to +65 °C          Temp Code T6          Class I, Zone 1, AEx d IIC T6          Class I, Zone 21, AEx tb IIIC T6          ISA 60079-29-1</p> <p>CU TR-Ex (Russian Customs Union), Tamb -60 to +65 °C*          CCCF*          Inmetro*          NEPSI*          PESO*</p>	
<b>MARITIME APPROVALS*</b>	Type approved to DNV, BV+, Lloyds+, ABS, EN 60945 (EMC) IEC 60092-504	
<b>OTHER APPROVALS</b>	Bluetooth Certified, Radio Equipment Directive (RED), FCC+, country-specific wireless approvals	
<b>BLUETOOTH COMMUNICATION SECURITY</b>	Certificate-based mutual authentication. Encryption to AES128	

\*CONTACT HONEYWELL FOR AVAILABILITY +FLAMEPROOF VERSIONS ONLY

# OELD Dimensions



## For more information

[www.honeywellanalytics.com](http://www.honeywellanalytics.com)

## Europe, Middle East, Africa

Life Safety Distribution GmbH  
 Tel: 00800 333 222 44 (Freephone number)  
 Tel: +41 44 943 4380 (Alternative number)  
 Middle East Tel: +971 4 450 5800 (Fixed Gas Detection)  
[gasdetection@honeywell.com](mailto:gasdetection@honeywell.com)

## Americas

Honeywell Analytics Distribution Inc.  
 Tel: +1 847 955 8200  
 Toll free: +1 800 538 0363  
[detectgas@honeywell.com](mailto:detectgas@honeywell.com)

## Asia Pacific

Honeywell Analytics Asia Pacific  
 Tel: +82 (0) 2 6909 0300  
 India Tel: +91 124 4752700  
 China Tel: +86 10 5885 8788-3000  
[analytics.ap@honeywell.com](mailto:analytics.ap@honeywell.com)

## Technical Services

EMEA: [HAexpert@honeywell.com](mailto:HAexpert@honeywell.com)  
 US: [ha.us.service@honeywell.com](mailto:ha.us.service@honeywell.com)  
 AP: [ha.ap.service@honeywell.com](mailto:ha.ap.service@honeywell.com)  
[www.honeywell.com](http://www.honeywell.com)

DS01176\_V1\_12/16  
 © 2016 Honeywell International Inc.

**Honeywell**  
 THE POWER OF CONNECTED