

# BinMaster Price Book

Effective January 1, 2015 Rev. B



## SmartBob2 & TS1



# ***BINMASTER***

Prices Subject To Change Without Notice  
Not responsible for errors or omissions.  
F.O.B. Lincoln, Nebraska USA

## **DASTEC S.R.L.**

Representantes / Distribuidores Exclusivos

 Dastec Uruguay S.R.L.

Tel: (+59 8) 2400 4046

Email: [info@dastecsrl.com.uy](mailto:info@dastecsrl.com.uy)

Web: [www.dastecsrl.com.uy](http://www.dastecsrl.com.uy)

 Dastec S.R.L. Paraguay

Tel: (+595 9) 8310 0799

Email: [info@dastecsrl.com.py](mailto:info@dastecsrl.com.py)

Web: [www.dastecsrl.com.py](http://www.dastecsrl.com.py)

Shipping Address: 7201 N. 98th St., Lincoln, NE 68507 / Mailing Address: P.O. Box 29709, Lincoln, NE 68529

Phone: 800-278-4241 or 402-434-9102 / Fax: 402-434-9133

[www.binmaster.com](http://www.binmaster.com) / [info@binmaster.com](mailto:info@binmaster.com)

**ORDERING SMARTBOB2 AND SMARTBOB AO REMOTE SENSORS: FIVE STEPS**

Select: 1) Select SmartBob2 remote sensor 2) Select cable option and specify length 3) Select sensor probe option 4) Select mounting flange  
 5) Select heater option (if necessary). Example: 730-5038C1B1M1H would be a SmartBob2 remote 115 VAC, nylon coated SS cable, 316 SS heavy spike, 0 degree mounting plate, and gearbox heater option

SMARTBOB2 AND SMARTBOB AO REMOTE SENSORS			
MODEL	DESCRIPTION	PRICE	PART NO.
SBR II 115	Microprocessor-driven SmartBob2 remote sensor, 115 VAC, corrosion-resistant polycarbonate enclosure, air inlet port. Hazardous location approved, C/US listed for Class II, Groups E, F, G	Call Us	730-5038
SBR II 230	Microprocessor-driven SmartBob2 remote sensor, 230 VAC, corrosion-resistant polycarbonate enclosure, air inlet port. Hazardous location approved, C/US listed for Class II, Groups E, F, G	Call Us	730-5039
SBR AO 115	Microprocessor-driven SmartBob2 AO remote sensor, 115 VAC, corrosion-resistant polycarbonate enclosure with integrated 4-20 mA output. The SmartBob AO is a stand-alone analog transmitter that includes automatic measurement initiation and two configurable relay outputs. Hazardous location approved, C/US listed for Class II, Groups E, F, G	Call Us	730-5154
SBR AO 230	Microprocessor-driven SmartBob2 AO remote sensor, 230 VAC, corrosion-resistant polycarbonate enclosure with integrated 4-20 mA output. The SmartBob AO is a stand-alone analog transmitter that includes automatic measurement initiation and two configurable relay outputs. Hazardous location approved, C/US listed for Class II, Groups E, F, G	Call Us	730-5156

SMARTBOB2 AND SMARTBOB AO CABLE OPTIONS			
ORDER CODE	DESCRIPTION	PRICE	PART NO.
C1	Nylon jacketed 7 x 19 stainless steel cable for temperatures up to 250° with 270 lb. tensile strength and SureDrop system	Call Us	213-0019
C2	Teflon jacketed 7 x 19 stainless steel cable for temperatures up to 500° with 270 lb. tensile strength and SureDrop system	Call Us	213-0021
C3	Bare 7 x 19 stainless steel cable for temperatures up to 1000° with 270 lb. tensile strength and SureDrop system	Call Us	213-0020

SMARTBOB2 AND SMARTBOB AO SENSOR PROBE OPTIONS			
ORDER CODE	DESCRIPTION	PRICE	PART NO.
B1	Stainless steel heavy spike bob probe	Call Us	416-0373
B2	416 Stainless steel heavy spike bob probe (magnetic)	Call Us	416-0374
B3	Weighted 4" stainless steel inverted cone for light solids only	Call Us	416-0375
B4	Hollow 6" stainless steel cone with light spring for liquid applications	Call Us	416-0376
B5	Plastic sensing digestible bottle filled with 32 oz. of paraffin wax (for SBR II only)	Call Us	416-0377
B6	Plastic sensing digestible bottle empty, to be filled with 32 oz. of material in field	Call Us	416-0378
B9	6" Stainless steel sphere float for liquid, slurry, and light powder applications	Call Us	416-0546
B11	Glass spike probe	Call Us	299-0835

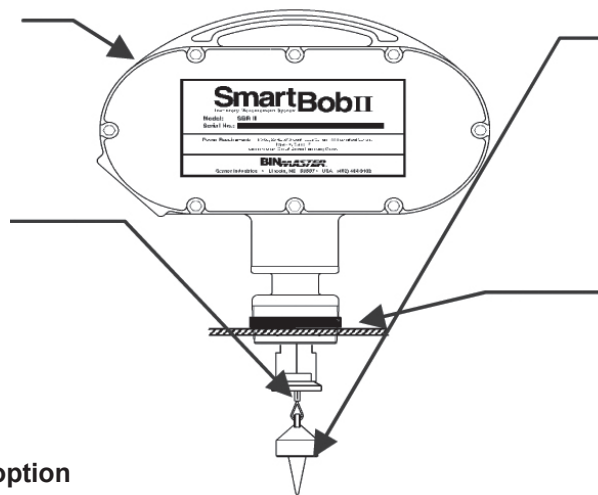
SMARTBOB2 AND SMARTBOB AO MOUNTING PLATE OPTIONS			
ORDER CODE	DESCRIPTION	PRICE	PART NO.
M1	0° Mounting plate, 3" NPT, powder coated forged aluminum, 5.13" diameter bolt circle	Call Us	299-0064
M2	0° Mounting plate, 3" NPT, powder coated carbon steel, 7" diameter bolt circle	Call Us	416-0295
M3	5° Mounting plate, 3" NPT, powder coated carbon steel, 7" diameter bolt circle	Call Us	416-0296
M4	10° Mounting plate, 3" NPT, powder coated carbon steel, 7" diameter bolt circle	Call Us	416-0297
M6	15° Mounting plate, 3" NPT, powder coated carbon steel, 7" diameter bolt circle	Call Us	416-0397
M7	20° Mounting plate, 3" NPT, powder coated carbon steel, 7" diameter bolt circle	Call Us	416-0424
M8	24° Mounting plate, 3" NPT, powder coated carbon steel, 7" diameter bolt circle	Call Us	416-0363
M5	30° Mounting plate, 3" NPT, powder coated carbon steel, 7" diameter bolt circle	Call Us	416-0298
M10	35° Mounting plate, 3" NPT, powder coated carbon steel, 7" diameter bolt circle	Call Us	416-0634
M9	40° Mounting plate, 3" NPT, powder coated carbon steel, 7" diameter bolt circle	Call Us	416-0402

SMARTBOB2 AND SMARTBOB AO MOTOR GEARBOX HEATER			
ORDER CODE	DESCRIPTION	PRICE	PART NO.
H	SmartBob2 motor gearbox heater 10W, 115 VAC	Call Us	530-0387-A
H2	SmartBob2 motor gearbox heater 10W, 230 VAC	Call Us	530-0577

- 1) SmartBob2 or SmartBob AO Sensor**
- 115 VAC
  - 230 VAC

- 2) Cable**
- Nylon
  - Teflon
  - Bare

**\*Note: 5) Heater option available when temperature will consistently drop below 32°F.**



- 3) Sensor Probes**
- 316 SS Spike
  - 4" Cone
  - 6" Cone
  - Digestible Bottle Filled
  - Digestible Bottle Empty
  - 6" Sphere

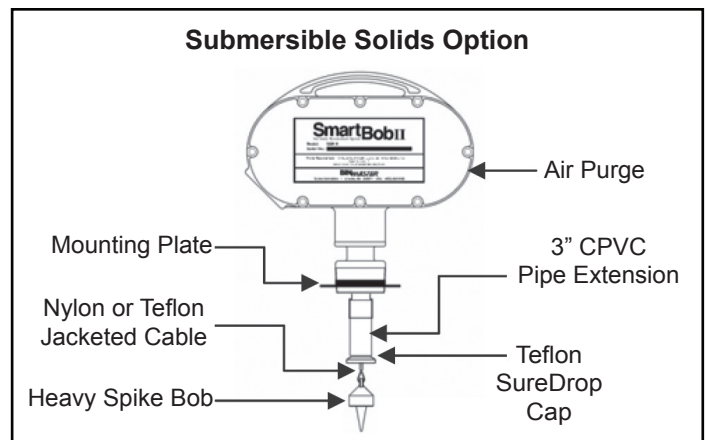
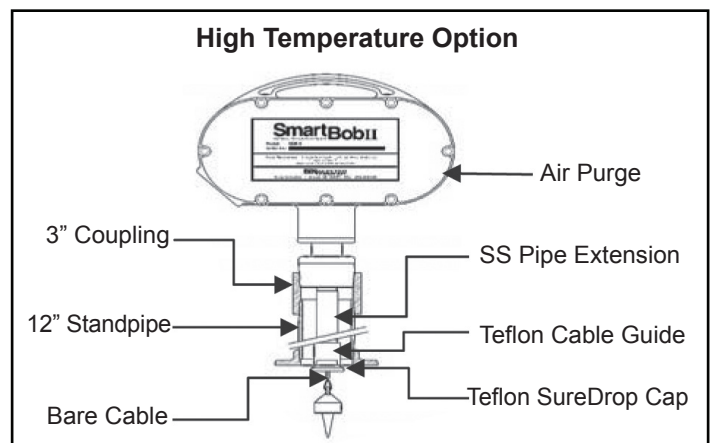
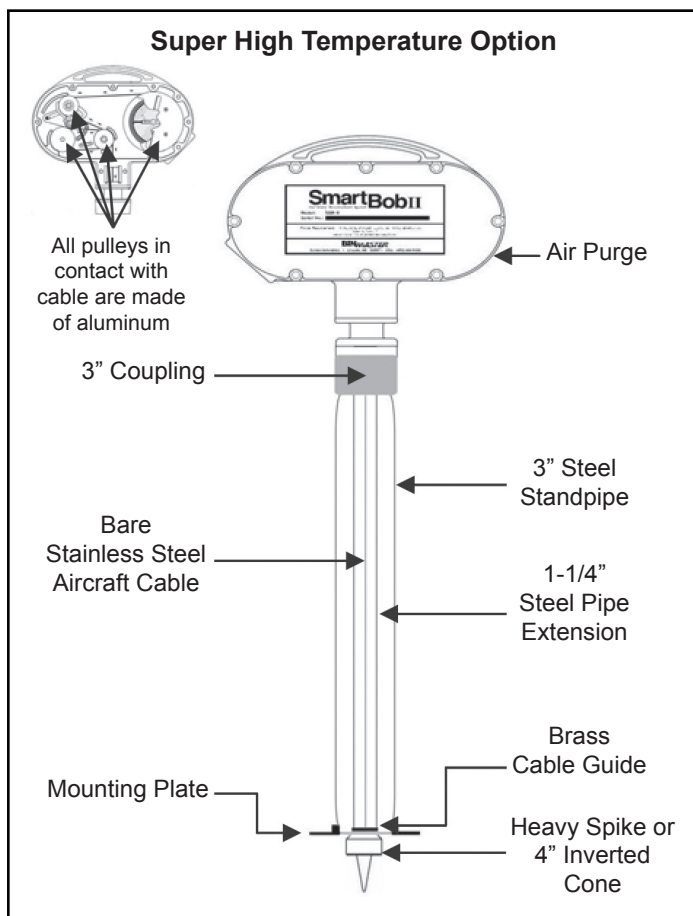
- 4) Mounting Plate**
- 0 Degree
  - 5 Degree
  - 10 Degree
  - 15 Degree
  - 20 Degree
  - 24 Degree
  - 30 Degree
  - 40 Degree

SMARTBOB2-HT HIGH TEMPERATURE OPTION			
ORDER CODE	DESCRIPTION	PRICE	PART NO.
HT	SmartBob2 high temperature option for process temperatures above 250°F and not to exceed 500°F. Includes a 12" long, 3" diameter galvanized pipe standoff to extend the remote sensor away from heat source, a 1" stainless steel pipe extension fitted with a Teflon cable guide keeps the sensor probe out of the standpipe and level with the vessel top. Must be ordered with bare cable (C3), plus either a stainless steel heavy spike bob (B1), weighted 4" stainless steel inverted cone (B3), or hollow 6" stainless steel cone (B4) with this option.	Call Us	416-0365

SMARTBOB2-SHT SUPER HIGH TEMPERATURE OPTION			
ORDER CODE	DESCRIPTION	PRICE	PART NO.
SHT	SmartBob2 super high temperature option for process temperatures above 500°F and not to exceed 1000°F. Includes a 36" long, 3" diameter galvanized pipe standoff to extend the remote sensor away from heat source, a 1-1/4" galvanized pipe extension fitted with a bronze cable guide keeps the sensor probe out of the standpipe and level with the vessel top. All Delrin pulleys are replaced with aluminum pulleys in the super high temperature option. Must order bare cable (C3), plus either a stainless steel heavy spike bob (B1) or weighted 4" stainless steel inverted cone (B3) with this option.	Call Us	416-0560

SMARTBOB2-SS SUBMERSIBLE SOLIDS OPTION			
ORDER CODE	DESCRIPTION	PRICE	PART NO.
SS	SmartBob2 submersible solids option lowers a weighted heavy stainless steel spike bob from the top of a vessel, diving through the liquid to measure the submersed solids in the liquid. Includes a 3" CPVC pipe extension. Must order the nylon or Teflon jacketed cable (C1) and stainless steel heavy spike bob (B1) with this option.	Call Us	416-0561

SMARTBOB2-HM Horizontal Mounting Option			
ORDER CODE	DESCRIPTION	PRICE	PART NO.
HM	SmartBob2 horizontal mounting option. Specify insertion length from 12" to 36".	Call Us	416-0657



**ORDERING SMARTBOB-TS1 REMOTE SENSORS: FIVE STEPS**

Select: 1) Select SmartBob-TS1 remote sensor 2) Select cable and length 3) Select sensor probe option 4) Select mounting flange 5) Select heater option (if necessary).  
 Example: 730-5048-C4-B7-M1-H would be a SmartBob-TS1 115 VAC, 30' polyester cable, plastic sensing bottle, 45 degree mounting plate, and gearbox heater option

SMARTBOB-TS1 REMOTE SENSOR			
MODEL	DESCRIPTION	PRICE	PART NO.
TS1-60 115	Microprocessor-driven SmartBob-TS1 remote sensor, 115 VAC, corrosion-resistant, rotomolded polyethylene enclosure, 0 to 60' measuring range	Call Us	730-5122
TS1-60 230	Microprocessor-driven SmartBob-TS1 remote sensor, 230 VAC, corrosion-resistant, rotomolded polyethylene enclosure, 0 to 60' measuring range	Call Us	730-5123

SMARTBOB-TS1 CABLE			
ORDER CODE	DESCRIPTION	PRICE	PART NO.
C4	Braided nylon cable	Call Us	213-0007

SMARTBOB-TS1 SENSOR PROBE OPTIONS			
ORDER CODE	DESCRIPTION	PRICE	PART NO.
B10	Polyethylene weighted spike bob	Call Us	416-0558
B7	Plastic sensing digestible bottle filled with 16 oz. of paraffin wax	Call Us	416-0454
B8	Hollow 5" stainless steel spherical float for liquid or light powder applications	Call Us	416-0456

SMARTBOB-TS1 MOUNTING PLATE OPTIONS			
ORDER CODE	DESCRIPTION	PRICE	PART NO.
MF1	0° Mounting plate, 3" NPT, powder coated forged aluminum, 5.13" diameter bolt circle	Call Us	416-0460
MF2	0° Mounting plate, 3" NPT, powder coated carbon steel, 7" diameter bolt circle	Call Us	416-0461
MF3	5° Mounting plate, 3" NPT, powder coated carbon steel, 7" diameter bolt circle	Call Us	416-0462
MF4	10° Mounting plate, 3" NPT, powder coated carbon steel, 7" diameter bolt circle	Call Us	416-0463
MF5	15° Mounting plate, 3" NPT, powder coated carbon steel, 7" diameter bolt circle	Call Us	416-0464
MF6	30° Mounting plate, 3" NPT, powder coated carbon steel, 7" diameter bolt circle	Call Us	416-0465
MF7	30° Mounting plate with welded 6" standpipe	Call Us	416-0466
MF9	35° Mounting plate, 3" NPT, powder coated carbon steel, 7" diameter bolt circle	Call Us	416-0660
MF8	40° Mounting plate with welded 6" standpipe	Call Us	416-0467
M12	4-1/2" Standpipe with no mounting plate, 4-1/2" long	Call Us	416-0459

SMARTBOB-TS1 WIRELESS TRANSCEIVER			
MODEL	DESCRIPTION	PRICE	PART NO.
WT	SmartBob-TS1 built-in 900 MHz wireless transceiver	Call Us	530-0523
ZBM	SmartBob-TS1 built-in ZigBee module	Call Us	530-0620

SMARTBOB-TS1 MOTOR GEARBOX HEATER			
ORDER CODE	DESCRIPTION	PRICE	PART NO.
H	SmartBob-TS1 motor gearbox heater 15W, 115 VAC	Call Us	530-0517

**1) SmartBob-TS1 Sensor**

- 115 VAC 0-30 ft.
- 230 VAC 0-30 ft.
- 115 VAC 0-60 ft.
- 230 VAC 0-60 ft.

**2) SmartBob-TS1 Cable**

- Braided Polyester

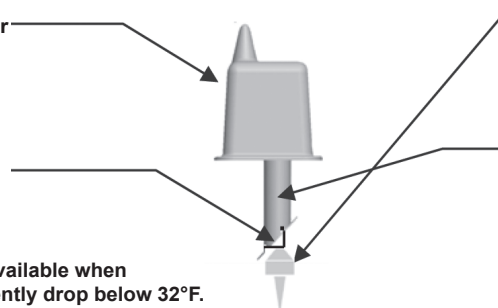
**3) SmartBob-TS1 Sensor Probes**

- 5" Spherical Float
- Polyethylene Weighted Spike
- Digestible Bottle

**4) SmartBob-TS1 Mounting Plate**

- 0 Degree
- 5 Degree
- 10 Degree
- 20 Degree
- 30 Degree
- 40 Degree

\*Note: 5) Heater option available when temperature will consistently drop below 32°F.

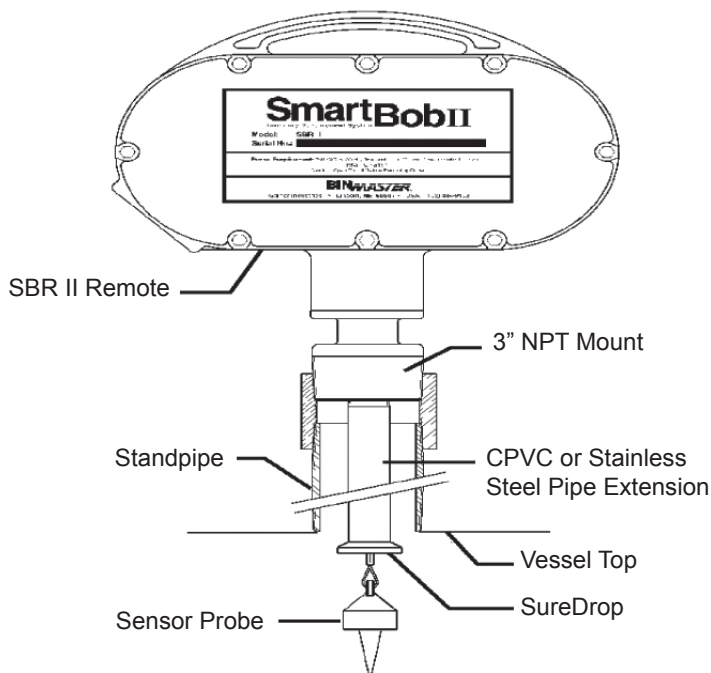


SMARTBOB COMMUNICATION CABLE			
MODEL	DESCRIPTION	PRICE	PART NO.
Data Cable	Allen-Bradley blue hose RS-485 data cable, 20 AWG shielded twin axial, twisted pair, low capacitance, Belden #9463 or equivalent	Call Us	398-0090

SMARTBOB RS-485 LIGHTNING SURGE PROTECTOR FOR RS-485 LINE			
MODEL	DESCRIPTION	PRICE	PART NO.
LSP-RS-485	RS-485 surge suppression kit. Recommended for lightning protection for outdoor RS-485 communications cable. Kit includes three-stage suppressor in a NEMA 4 enclosure and application guide.	Call Us	530-0579

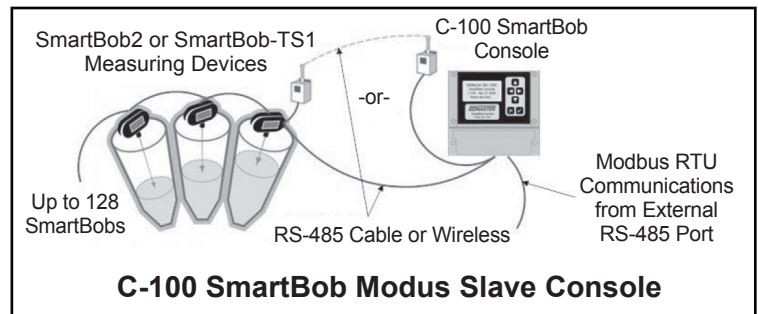
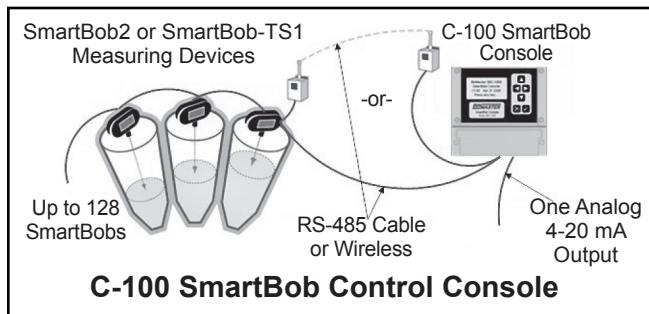
SMARTBOB PIPE EXTENSIONS			
MODEL	DESCRIPTION	PRICE	PART NO.
SBPE-1	CPVC 1" pipe extension	Call Us	416-0324
SBPE-2	Stainless steel 1" pipe extension with Teflon cable guide	Call Us	416-0325
FC-1	Female/female coupler, 3"-8 NPT galvanized	Call Us	175-0123
PE-12	Pipe extension 3"-8 NPT X 12" long	Call Us	175-0127

\* Pipe extensions should be used to extend the bob seat through standoff pipes, insulation, or other obstructions.

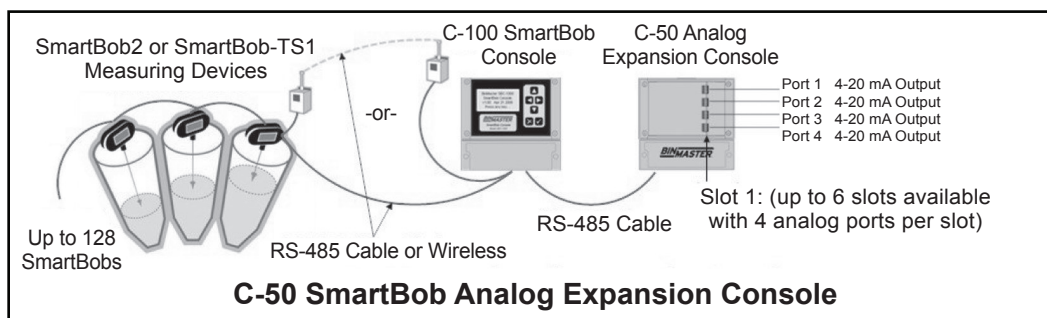


The CPVC pipe extension is an optional feature that is screwed to the 3" NPT SmartBob2 mount. The pipe extension keeps the sensor probe from being pulled up into the standpipe, functions as a bushing, and keeps the cable from fraying on sharp objects if the sensor probe swings while taking a measurement. It also functions to keep the sensor probe flush with the vessel top. The extension pipes are available in CPVC, galvanized pipe, or stainless steel. They are available in custom lengths from 4" to 20'. The reason for a longer extension is so the SmartBob2 remote can be mounted on a catwalk above the vessel and the sensor probe extended down to the vessel top for easy access to the remote.

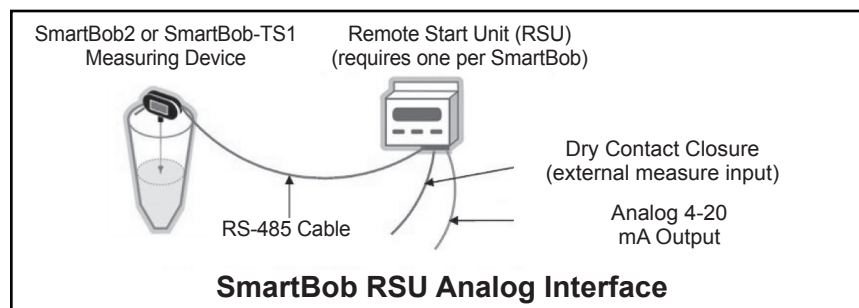
SMARTBOB CONTROL CONSOLE			
MODEL	DESCRIPTION	PRICE	PART NO.
C-100	Control console for 1 to 128 bins, wall mount console with LCD display, NEMA 4X, 16 VAC or 24 VDC. Measurement formats can be displayed as headroom percentage, headroom height, headroom weight, product percentage, product height and product weight. Vessel configuration and user settings are stored in non-volatile memory and will be retained during a power failure. The C-100 has one 4-20 mA output and remote start contact to provide a traditional interface to a PLC/DCS system for 1 SmartBob sensor.	Call Us	730-5094
C-100-MB	Modbus control console allows Modbus serial masters to gather data from SmartBob2 or SmartBob-TS1 sensors. Modbus protocol is defined as a master/slave protocol, meaning a device operating as a master (the host PC or PLC controller) will poll the Modbus control console operating as a slave. The master will write data to the control console registers, as well as read the data from the control console registers.	Call Us	730-5124



SMARTBOB ANALOG EXPANSION CONSOLE			
MODEL	DESCRIPTION	PRICE	PART NO.
C-50	Analog expansion box with vertical slots available for 6 analog cards (four 4-20 mA analog loops per card). Must be powered with 24 VDC.	Call Us	730-5110
C-50AC	Analog card with four 4-20 mA analog loops	Call Us	530-0602

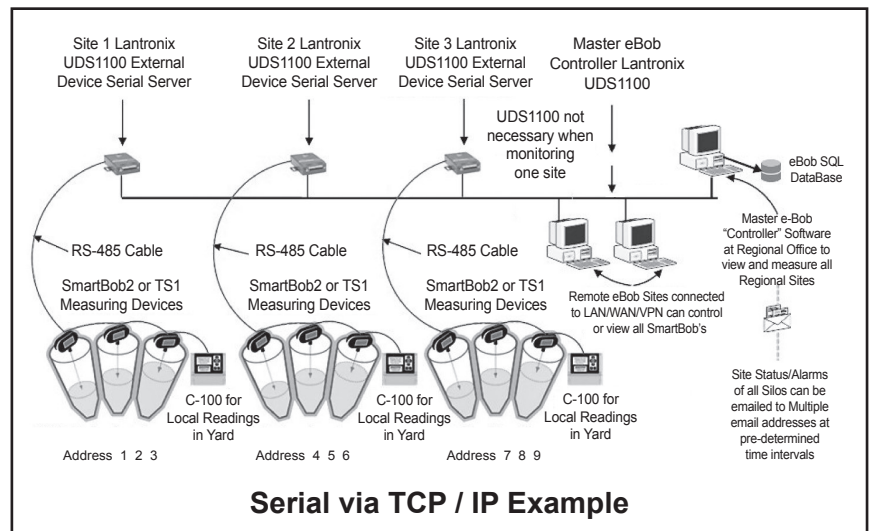
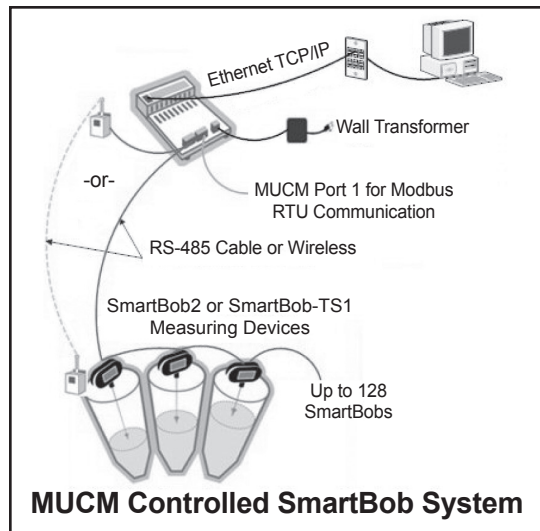


SMARTBOB SINGLE ANALOG INTERFACE UNITS			
MODEL	DESCRIPTION	PRICE	PART NO.
RSU-1	Remote start unit, NEMA 1, 16 VAC or 24 VDC, 4-20 mA output	Call Us	730-0178
RSU-4	Remote start unit, NEMA 4X, 16 VAC or 24 VDC, 4-20 mA output	Call Us	730-0180
RSU/MS-4	Remote start unit with manual start, NEMA 4, 16 VAC or 24 VDC, 4-20 mA output	Call Us	730-0197



WALL TRANSFORMERS & POWER SUPPLY FOR C-100, RSU & C-50			
MODEL	DESCRIPTION	PRICE	PART NO.
XFMR-13	100-230 VAC / 24 VDC, 15 W, switching power supply to power C-100 and RSU	Call Us	730-0318
XFMR 12	115 VAC / 16 VAC wall transformer to power C-100 and RSU	Call Us	388-0039
PSDC-1	24 VDC / 30 VA, NEMA 1 din rail mounted power supply to power C-50 analog expansion box	Call Us	399-0022
PSDC-4	24 VDC / 30 VA, NEMA 4X enclosure mounted power supply to power C-50 analog expansion box	Call Us	730-0577

UNIVERSAL COMMUNICATION MODULES AND COMMUNICATION TOPHATS			
MODEL	DESCRIPTION	PRICE	PART NO.
MUCM	SmartBob2 Momentum Universal Communication Module (MUCM) allows Modbus serial masters to gather data from SBR II remotes.	Call Us	730-0480
ENT	MUCM Ethernet communication tophat	Call Us	344-0001
PNT	MUCM Modbus plus communication tophat	Call Us	344-0002
LNT	MUCM DeviceNet communication tophat	Call Us	344-0003
DNT	MUCM Profibus communication tophat	Call Us	344-0004
XFMR-14	MUCM wall mounted power supply	Call Us	388-0049
UESP211	Communication adapter, TCP/IP to serial	Call Us	344-0006
MESR901	MESR901 gateway bridge can be used to integrate the C-100MB (Modbus serial master) on a Modbus TCP/IP network. With Modbus TCP/IP, the message is "wrapped" and sent over a computer network instead of serial data cables.	Call Us	344-0011

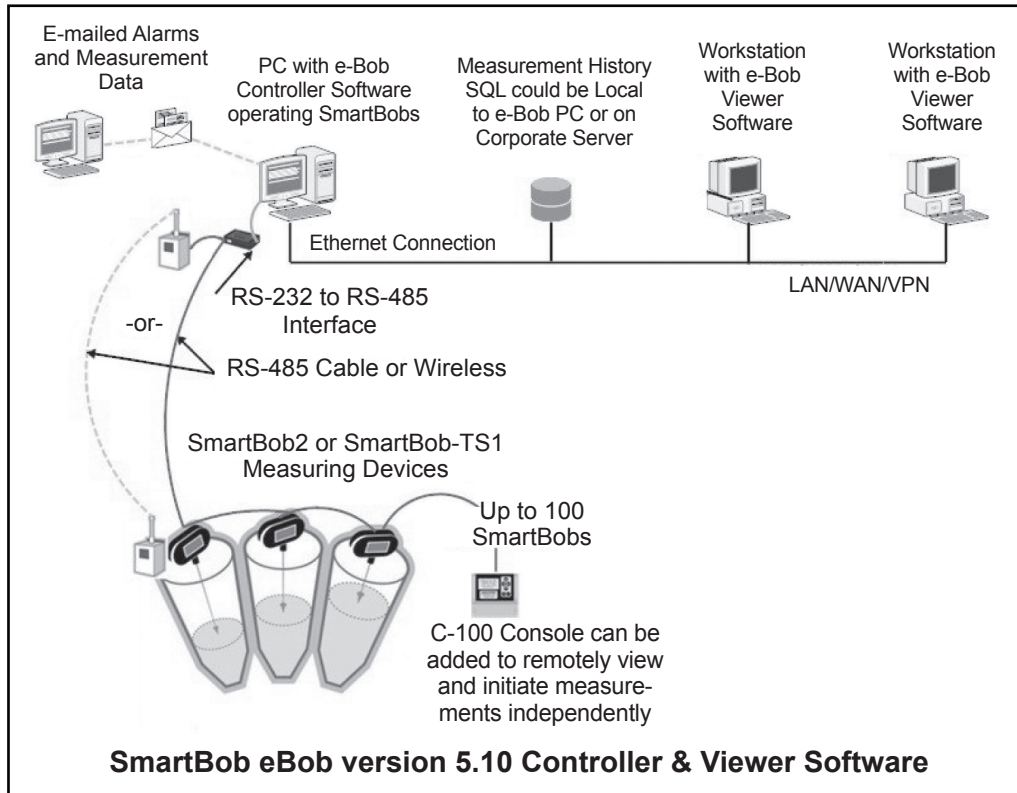




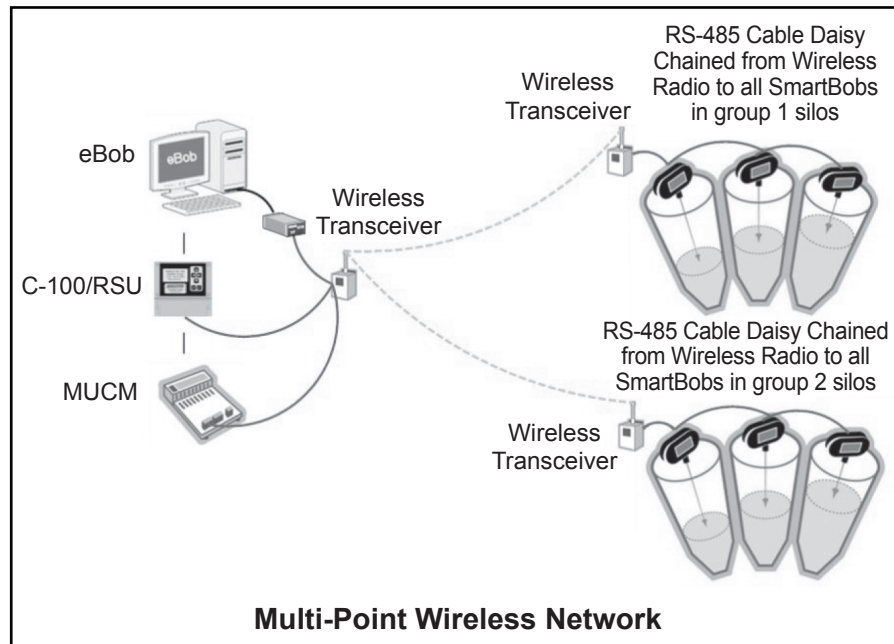
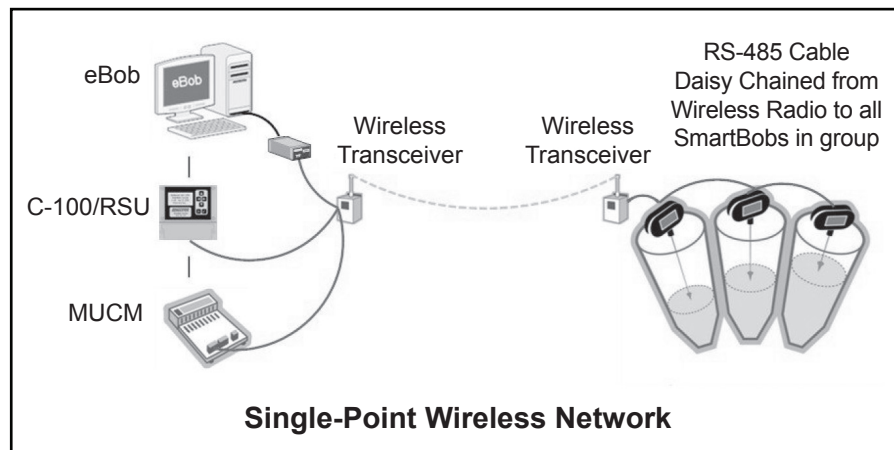
<b>SMARTBOB eBob SOFTWARE VERSION 5.2</b>			
<b>MODEL</b>	<b>DESCRIPTION</b>	<b>PRICE</b>	<b>PART NO.</b>
eBob Ver. 5.2 Controller Software (Windows)	eBob controller software with graphical display and inventory history in a SQL database for up to 99 SBR II remote sensors. Features include: <ul style="list-style-type: none"> <li>• Ability to drop one, a specified group or all SmartBob2 remotes simultaneously</li> <li>• Weight of product and headroom</li> <li>• Percent full</li> <li>• Distance to and of product</li> <li>• Vessel capacity</li> <li>• Date and time stamp of last measurement</li> <li>• Scheduled time of next measurement</li> <li>• Vessel name and content</li> <li>• Vessel number and group(s)</li> <li>• Vessel status enabled/disabled</li> <li>• Selectable units of measurement</li> <li>• Up to four alarm set-points per vessel</li> <li>• Network capable, ability to switch between multiple SmartBobII sensor sites/installations to view data and take measurements</li> <li>• Communicate directly with serial data servers via TCP/IP</li> <li>• Ability to support up to 32 SmartBobs sensors associated with a single vessel                             <ul style="list-style-type: none"> <li>– Average and “weighted” average measurement output</li> <li>– Detail screen to monitor measurement progress</li> </ul> </li> <li>• Advanced vessel modeling via a lookup or strapping table                             <ul style="list-style-type: none"> <li>– Model nonlinear or unique shape vessels</li> <li>– Independent of units, output defined as “units per feet of distance”</li> </ul> </li> <li>• Data stored in SQL database</li> <li>• Hopper strapping table</li> <li>• Windows® XP Pro, Vista Business, and Windows 7 compatible</li> </ul>	Call Us	730-0537
eBob Ver. 5.2 Viewer Software (Windows)	eBob Client Viewer software allows multiple-user updating through a GUI front end to a shared SQL database. One eBob client software package is required per sight where the eBob server software is running. The eBob client software can be installed on up to five PCs.	Call Us	730-0538
RS-485 NT	RS-232 to RS-485 interface used to connect computer serial port to RS-485 network when using eBob software.	Call Us	730-0202
RS-485-USBI	Isolated USB to RS-485 converter used to connect USB port to RS-485 network when using eBob software.	Call Us	530-0174
RS-485-USBM	Mini USB	Call Us	530-0570

**NOTE:**

1. Requires a RS-232 to RS-485 interface used to connect computer serial port to RS-485 network when using eBob software. If a USB port is only available, a USB to serial converter will need to be used.
2. Requires Windows XP Pro, Windows 7, or Vista Business.
3. Upgrade software is available for customers using IMS Version 2.2.3C. A setting change in the SmartBob2 remote sensor is required when upgrading to the new software. The version of the PIC processor in the SmartBob2 sensor PCB must be 2.3 or higher.
4. One year tech support with unlimited phone support and free upgrades is available for 20% of total cost of software. If you choose not to purchase the tech support, phone support will be made available for 30 days from date of purchase at no charge.



SMARTBOB WIRELESS TRANSCEIVERS AND ACCESSORIES			
MODEL	DESCRIPTION	PRICE	PART NO.
WT1-19	Indoor wireless transceiver unit with 4dBi omnidirectional antenna and cable adapter, 115 VAC power supply, and standard RS-232C DB-9 (female) connector	Call Us	730-0443
WL-19	Indoor / outdoor standard (-20°F to +140°F) wireless transceiver unit NEMA 4X with 4dBi omnidirectional antenna, selectable 115 VAC / 230 VAC, RS-485 connection terminal	Call Us	730-0514
WL-19D	Indoor / outdoor standard (-20°F to +140°F) wireless transceiver unit NEMA 4X with 900 MHz directional Yagi antenna, selectable 115 VAC / 230 VAC, RS-485 connection terminal	Call Us	730-0515
WL-LAK	Lightning arrestor kit. Recommended as additional protection for antennas mounted in exposed locations. Kit includes arrestor, mounting kit and instructions. (Note, these are ONLY needed when external antennas are used with the WT-19 module.)	Call Us	530-0534
YDA	Yagi directional antenna	Call Us	730-0431



**DASTEC S.R.L.**

Representantes / Distribuidores Exclusivos

Dastec Uruguay S.R.L.

Tel: (+59 8) 2400 4046

Email: [info@dastecsrl.com.uy](mailto:info@dastecsrl.com.uy)

Web: [www.dastecsrl.com.uy](http://www.dastecsrl.com.uy)

Dastec S.R.L. Paraguay

Tel: (+595 9) 8310 0799

Email: [info@dastecsrl.com.py](mailto:info@dastecsrl.com.py)

Web: [www.dastecsrl.com.py](http://www.dastecsrl.com.py)