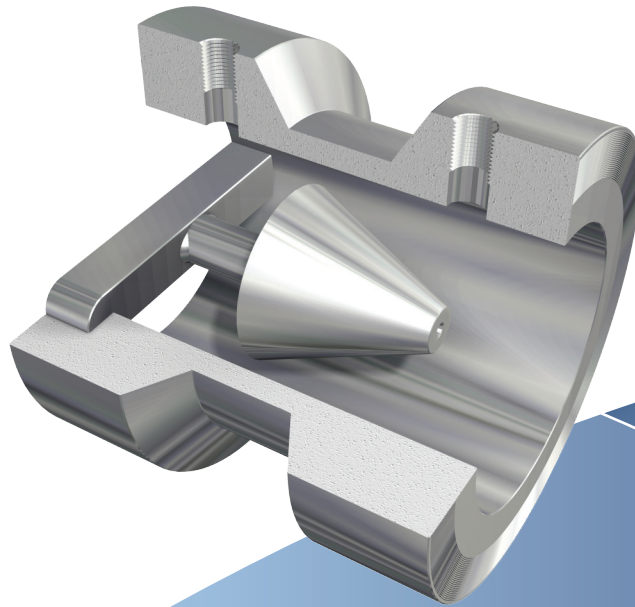




DASTECH

30 AÑOS AL SERVICIO DE LA INDUSTRIA

The Revolutionary Wafer-Cone® Flow Meter



ECONOMICAL, NO MAINTENANCE GAS AND LIQUID MEASUREMENT SOLUTION

The flangeless Wafer-Cone® is compact, less costly and easy to install. The cone conditions the flow so the Wafer-Cone requires minimal upstream or downstream pipe runs and can be installed virtually anywhere in a piping system. Ideal for small line sizes and with no moving parts, no replacement parts or scheduled maintenance, this meter offers a low cost of ownership and long life.



Unlike an orifice plate, the Wafer-Cone has no sharp edges so extensive maintenance and inspection are not required.

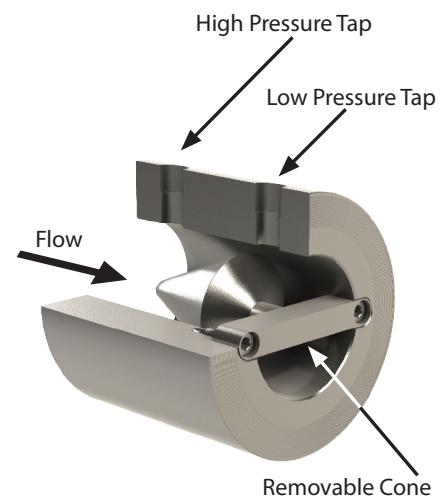
REMOVABLE CONE

Featuring an interchangeable cone for maximum flexibility to accommodate changing flow conditions without the need for recalibration. When flow conditions change over time, the cone can be removed and replaced with a cone at a different beta ratio eliminating the need to buy a new meter.

PERFORMANCE SPECIFICATIONS

| | |
|-----------------------|---|
| Accuracy: | ±1.0% of rate |
| Turndown: | 10:1 |
| Repeatability: | ±0.1% |
| Line Sizes: | 1" to 6" |
| Standard Beta Ratios: | 0.45 through 0.85 |
| Head Loss: | % of dP, varies with beta ratio |
| Piping Requirements: | 1-3 diameters upstream and 1 diameter downstream of the cone |

HOW IT WORKS



The McCrometer Wafer-Cone uses the same proven operating principle as the V-Cone®. It is a differential pressure flow meter with a unique design that conditions the flow prior to measurement. Differential pressure is created by the cone placed in the center of the pipe.

The cone is shaped so that it "flattens" the fluid velocity profile in the pipe, creating a more stable signal across wide flow downturns. Flow rate is calculated by measuring the difference between the pressure upstream of the cone at the meter wall and the pressure downstream of the cone through its center.

[TO LEARN MORE](#)

INDUSTRIES

- Oil and Gas Production
- District Energy
- Food and Beverage
- Metals and Mining
- Chemical Refining
- Pharmaceuticals
- Water Treatment
- Power



Wafer-Cone with Direct Mount shown with manifold and transmitter sold separately.



Wafer-Cone with Direct Mount option.



APPLICATIONS

- Natural Gas Wellheads
- Gas, Water, and CO_2 Injection
- Gas Lift
- Compressor Anti-Surge
- Fuel Gas
- Separator Discharge
- Biogas Reactors
- Cooling Systems
- Plant HVAC
- Process Gas Lines
- And More

REMOTE OR DIRECT MOUNT

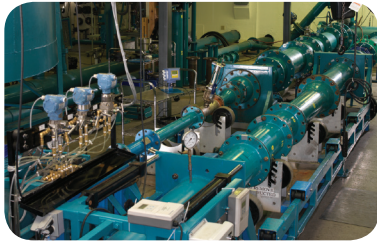
The Wafer-Cone is available with remote or direct mount configuration. The direct mount option minimizes installation labor while ensuring accuracy. Direct mounting the transmitter eliminates impulse lines, which not only lowers installation costs but also reduces potential leak points by more than 50 percent. Simple plug-and-play mounting ensures the meter is installed correctly the first time and eliminates a potential source of flow measurement errors.



The McCrometer value difference



For over 55 years, McCrometer has demonstrated an unyielding commitment to integrity which is reflected in our stringent flow meter calibration processes. Each flow meter is individually wet calibrated in one of our two world-class NIST traceable calibration facilities and delivered with a Certificate of Calibration.



Our Hemet, California factory boasts a robust Calibration Test Lab that enables production of the most accurate and precise flow instrumentation. The test facility utilizes three gravimetric systems and two volumetric systems providing accuracy and calibration tests of flow meters from 1/2 to 20-inch diameter, with flow rates up to 4,000 gpm.



Our large volume test facility is located in Porterville, California. This facility is one of the world's largest volumetric test facilities owned by a meter manufacturer, and it offers accuracy and calibration tests of flow meters from 3 to 72-inch diameter, with flow rates up to 60,000 gpm.



© 2012 by McCrometer, Inc. / Printed in USA

www.mccrometer.com

3255 West Stetson Avenue, Hemet, California 92545 USA

Phone 800-220-2279 | 951-652-6811 | Fax 951-652-3078

Lit Number 30120-35 Rev. 1.2 / 12-12

Wafer-Cone and V-Cone are registered trademarks of McCrometer, Inc.

Represented by

DASTECS R.L.

Representantes / Distribuidores Exclusivos

 **Argentina**

Tel: (+54 11) 5352 2500

Email: info@dastecsr.com.ar

Web: www.dastecsr.com.ar

 **Uruguay** www.dastecsr.com.uy

 **Paraguay** www.dastecsr.com.py

 **Bolivia** www.tecdas.com.bo